

## PV-2N

### Description

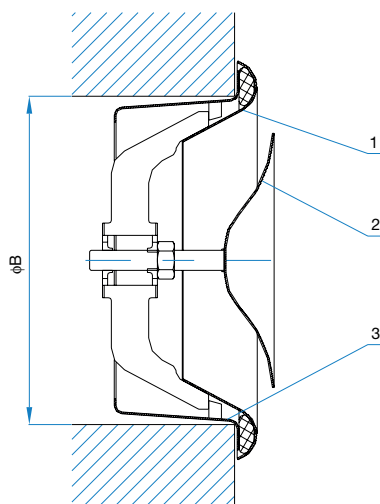
- Fixed diffusion ring
- Adjustable disc for valve opening and closing
- Installation in built-in frame
- Peripheral foamy sealing strip
- Supply application

### Material

- Made of sheet steel and coloured RAL 9010

### Component parts

1. Housing
2. Valve disc
3. Subframe



### Installation

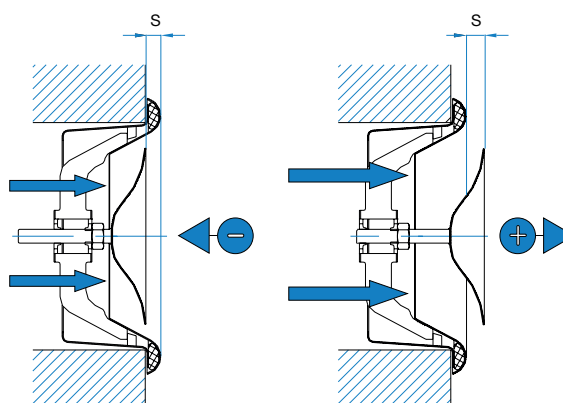
Frame is suitable for all installation types (wall, ceiling-or duct installation). It is fastened with screws. Place the valve in the groove and rotate it. Foamy sealant between the subframe and valve has a function to guarantee a perfect seal and to hold the valve in its position.

### Air flow regulation

Adjust the air volume flow by rotating the valve disc in plus or minus direction.

$$\ominus \leftarrow S \Rightarrow \oplus$$

s (mm)



### Dimensions:

Size	ØB
100	100
125	125
150	150
160	160
200	200

### Ordering key

PV-2N / 100 / 40

1      2      3

1 Valve

---

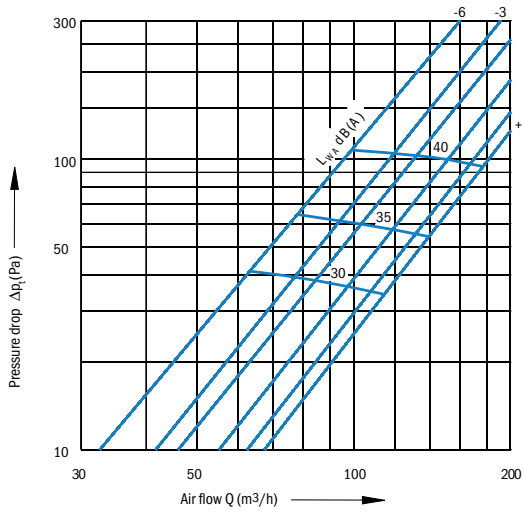
2 Size

---

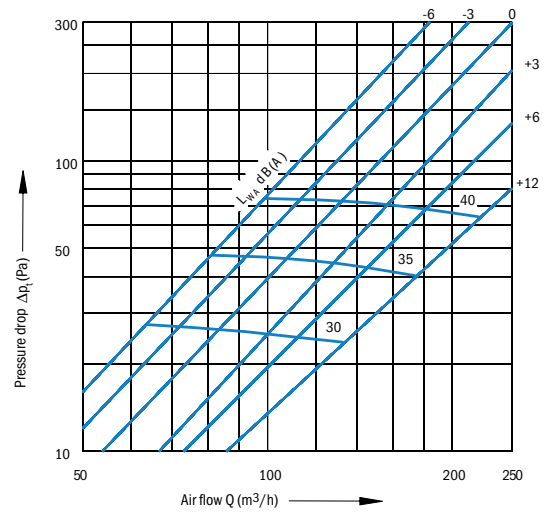
3 Pcs

---

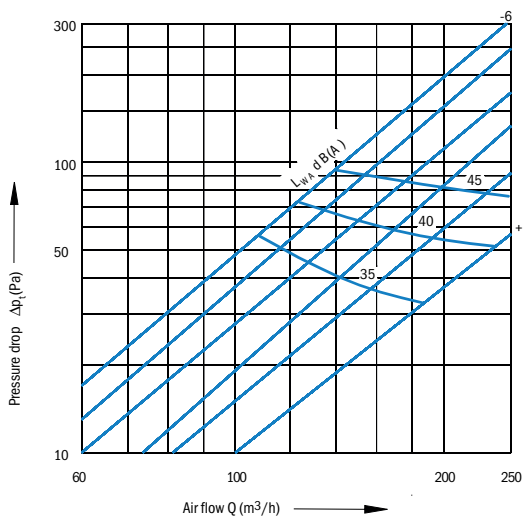
**PV-2N, size 100**



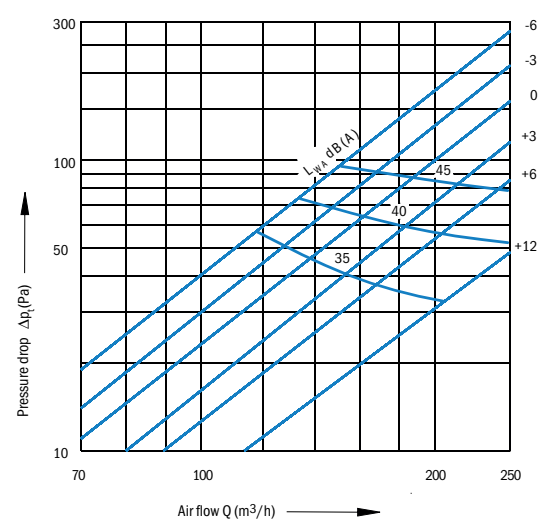
**PV-2N, size 125**



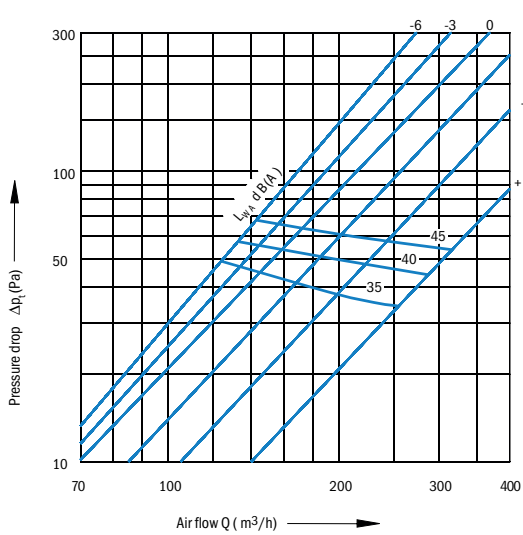
**PV-2N, size 150**



**PV-2N, size 160**



**PV-2N, size 200**



**Definition of symbols**

- Q (m<sup>3</sup>/h)** Air flow
- $\Delta p_t$  (Pa)** Pressure drop
- $L_{WA}$  (dB(A))** Sound power level